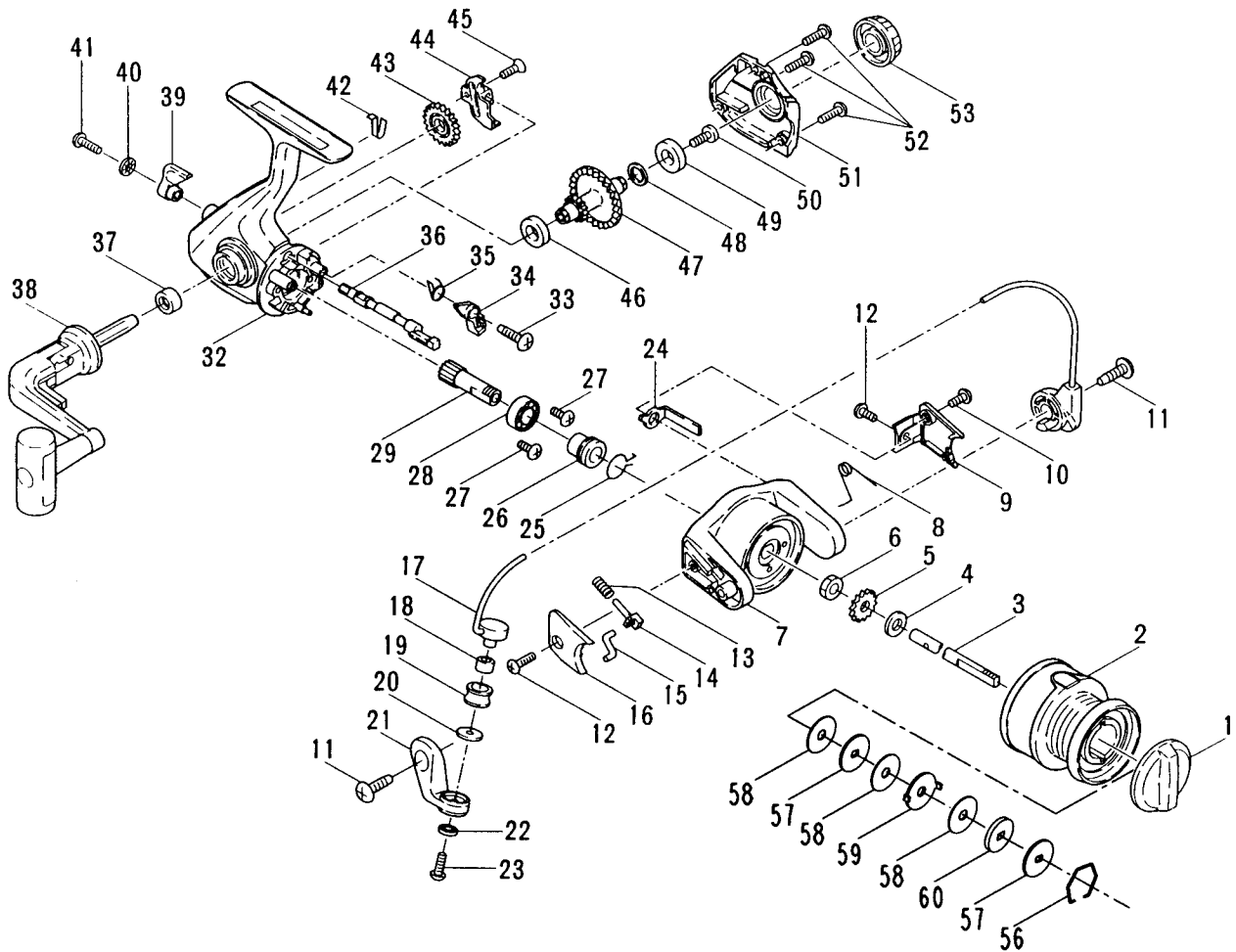




PARTS AND PRICE LIST FOR MODEL 1000



Key No.	Part No.	Description	Price	Key No.	Part No.	Description	Price
1	52-1000	Drag Knob Asm. w/Spring	\$5.00	32	1-1000	Housing	\$9.50
2	47-1000	Spool Assembly	20.00	33	3-1000	Dog Mounting Screw	.50
3	39-1000	Spool Shaft	3.50	34	4-1000	Anti-Reverse Dog	.50
4	60-1000	Thrust Washer	.45	35	4A-1000	Dog Spring	.80
5	40B-1000	Click Ratchet	.50	36	6A-1000	Eccentric Shaft	1.00
6	38-1000	Rotor Nut	.45	37	15A-1000	Handle Assembly	10.00
7	27-1000	Rotor Cup	6.95	38	15-1000	Eccentric Lever	.45
8	106-1000	Cam Lever Spring	.40	39	6E-1000	Thrust Washer	.40
9	227-1000	Cam Lever Cover	1.50	40	6E-1000	Ecc. Lever Mounting Screw	.40
10	50-1000	Cover Screw	.40	41	6E-1000	Ecc. Shaft Spring	.45
11	31A-1000	Trip Arm Screw (2)	.45	42	6D-1000	Crosswind Gear	1.00
12	28B-1000	Cam Lever Mtg. Screw (2)	.40	43	43-1000	Crosswind Gear Block	1.00
13	34C-1000	Pivot Spring	.45	44	44-1000	Crosswind Block Screw	.40
14	34B-1000	Pivot Shaft	.45	45	44-1000	Housing Bushing	1.05
15	34A-1000	Pivot Arm	.50	46	2-1000	Main Gear	3.50
16	27A-1000	Bail Pivot Cover	2.00	47	8-1000	Main Gear Shim	.40
17	24-1000	Bail Wire Assembly	7.00	48	2A-1000	Cover Bushing	1.05
18	35A-1000	Line Roller Bushing	.45	49	9A-1000	Standard Driver Screw	.90
19	35-1000	Line Roller	2.25	50	45-1000	Housing Cover	5.00
20	132-1000	Roller Washer	.80	51	46-1000	Cover Screw (3)	.40
21	34-1000	Bail Arm	2.00	52	233-1000	Bearing Cover	2.15
22	22A-875	Washer	.50	53	48-1000	Spool Click Tongue	.45
23	36-1000	Bail Stud Screw	.40	**54	22-1000	Click Tongue Screw	.50
24	28A-1000	Trip Cam Lever	.90	**55	51-1000	Drag Retaining Ring	.40
25	230-1000	Silent Dog Spring	.45	56	57-1000	Keyed Drag Washer (2)	.50
26	19A-1000	Pinion Spacer	.50	57	6-1000	Teflon Drag Washer (3)	.50
27	23-1000	Bearing Mtg. Screw (2)	.45	58	58-1000	Ear Drag Washer (1)	.60
28	20-1000	Ball Bearing	7.50	59	52A-1000	Drag Washer (Thick)	.40
29	19-1000	Pinion Gear	3.80	60			